

SMALL CHARACTER INK JET PRINTER

Videojet® 1710

High contrast codes made simple...

Superior uptime in diverse applications for easily readable codes

The all-new Videojet 1710 continuous ink jet printer is designed for customers requiring high contrast coding from a reliable, easy to operate and simple to maintain system.

Advanced capabilities

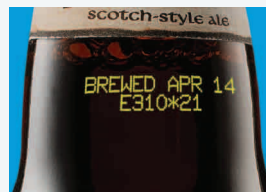
- Innovative ink management design maximises uptime
- High-contrast, pigmented inks create bright, clean codes on dark or difficult surfaces, dramatically exceeding standard dye-based inks
- Advanced connectivity makes integration simpler
- Up to 5 lines of high resolution print with speeds up to 271 m/min

Simple to maintain

- Industry leading 4,000-hour production with high contrast ink before preventative maintenance is required
- Modular core design for predictable and easy maintenance

Uptime peace of mind

- Advanced Clean Flow printhead design reduces the frequency of printhead cleanings for even the toughest pigmented inks



Identify with Videojet, world leaders in coding and marking solutions.
For more information please visit our website - www.videojet.co.uk

Videojet® 1710 Print & Technical Specifications

Special Core Engineered for Pigmented Inks

- Intelligent clustering of pigmented filters and components with similar life spans for reliability and easy maintenance
- New conical ink reservoir minimises natural effects of pigment settling
- Core eliminates messy filter and pump replacement



Printhead Extends Intervals Between Cleanings



- High-efficiency nozzle reduces printhead cleaning through precisely formed and directed ink drops
- Manifold circulates fluids to enable clean starts/stops
- Specially filtered air from perforated front face directs ink and dust away from printhead to reduce build up
- Smooth deck for easy cleaning of pigmented ink

Line Speed Capability

1-5 lines of print, up to 271 m/min at 60 dpi. See Print Sample Guide

Font Matrix Configuration

Resolution range; 5x5 to 25x34 dot matrix, see Print Sample Guide

Linear Bar Codes

UPC-A/E, EAN-8/13, Code 128 A/B/C, UCC/EAN 128, Code 39, 2 of 5, GS1

2-D Codes

DataMatrix: 10x10 to 32x32 and 18x8 to 48x16

Nominal Character Height

2 mm – 10 mm, font dependant

Printhead to Substrate

5 mm - 15 mm, 12 mm optimal

Keyboard

Membrane tactile feedback. 72 alpha-numeric and special function keys
Approximates international PC convention

Display

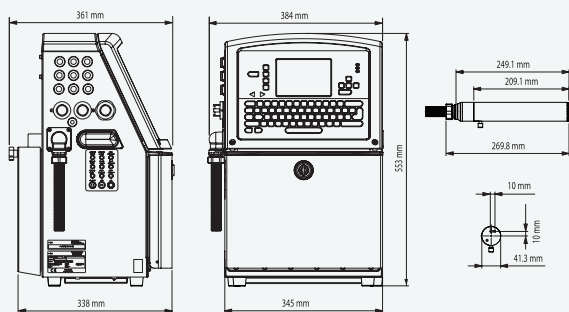
320x240 bright backlit LCD display, 14.5 cm

Custom Logo/Graphics

Created by user on printer or PC with optional Logo Creator software

Dimensions

Technical Drawings:



CERTIFIED
ISO 9001
DOCUMENTED QUALITY



Customer Care Statement

At Videojet we offer you a world leading after sales service. You have the opportunity to take maximum advantage of the full Videojet bundle of products and services to obtain superior product marking and coding with maximum equipment uptime.

Our families of green, environmentally friendly fluids have been helping customers meet and exceed their expectations and objectives for years. We can also provide inks with fewer or no volatile organic compounds (VOCs) enforcing our commitment to a greener code.



Character Sets

English, Arabic, Bulgarian, Chinese, East European, Greek, Hebrew, Kanji, Korean Russian, Scandinavian, Turkish

Languages and Interface Options

English, Arabic, Bulgarian, Simple Chinese, Traditional Chinese, Czech, Danish, Dutch, Finnish, French, German, Greek, Hebrew, Hungarian, Italian, Japanese, Korean, Norwegian, Polish, Portuguese, Russian, Spanish, Swedish, Thai, Turkish, Vietnamese

Data Interface

- RS232, RS485 and ethernet (standard)
- Clarisoft/Clarinet® via RS232 and ethernet
- Message management via USB

Message Storage

250 complex messages

Console Dimensions

See dimensional drawing

Environmental Protection

IP55 standard, IP65 optional (No plant air required)

Printhead

- Positive air (standard)
- Diameter: 41.3 mm
- Length: 269.8 mm
- 60/70 micron nozzle

Printhead Umbilical

- Length: 3 m, optional 6 m
- Diameter: 23 mm
- Bend radius: 76 mm

Fluids Containers

Ink: 600 ml and Make-Up; 750 ml cartridges

Temperature/Humidity Range

5 °C – 45 °C, 0-90% RH (non-condensing)

Electrical Requirements

100-120 / 200-240 VAC at 50/60 Hz, 120 W

Approximate Weight

21 kg

Options

- Ink Shaker (ink dependent)
- Dry Air Kit
- Expanded I/O for remote messaging and remote printer control
- Wide range of accessories

Videojet Office Details

UK: +44 (0) 870 240 5542 • uksales@videojet.com

Ireland: +351 1 450 2833 • irelandsales@videojet.com

www.videojet.co.uk

