

LASER MARKING SYSTEMS

Videojet 3320 Laser Marking System

- Fastest in it's class
- Best economy and reliability
- Very low maintenance even in harsh environments



Identify with Videojet, world leaders in coding and marking solutions.
For more information please call +44 (0)870 240 5542,
or visit our website - www.videojet.co.uk



Speed

The 3320 is the fastest 30 WATT laser marker in its class, with a marking speed up to 1,300 characters/sec and a line speed up to 15m/sec. Powerful intuitive software makes editing jobs quick and easy, and the option for handheld use makes the equipment extremely flexible.

BMW Logo		bar		316i/318i/320d	
195/65 R 15 91 H	1,8	2,2	max.	225/40 ZR 18	
205/60 R 15 91 H			max.		
205/55 R 16 91 V			max.		
225/50 R 16 92 W	2,2	2,7	max.		
225/50 ZR 16			max.		
225/45 R 17 91 W			max.		
195/65 R 15 91 O.T.H M+S	2,0	2,4	max.	255/35 ZR 18	
205/60 R 15 91 O.T.H M+S			max.		
205/55 R 16 91 O.T.H M+S			max.		
225/50 R 16 92 O.T.H M+S	2,4	2,9	max.		
225/45 R 17 91 O.T.H M+S			max.		
T 125/90 R 15 96 H	4,2	4,2	constant	T 125/90 R 16 98 H	

• 37176 Lütgenrode · Obere Dorfstr. 42
beckers-bester.de · www.beckers-bester.de

23.01.05 ZS084152

Print quality

What is particularly impressive about the Videojet 3320 is its superior high-speed technology. The unparalleled speed and consistent, high-quality printing speaks for itself. Its ease of use and good integration, thanks to flexible standard modules, make the printer an effective solution for high print quality.

Good legibility on a large number of products

Multi-line texts, machine-readable codes and graphics with a high marking quality guarantee clear print legibility on your products. The Videojet 3320 marks a wide spectrum of materials such as packaging (folded cartons, labels, plastic and glass bottles, tubes, etc.), connectors, switches, sensors, pipes, profiles and door and window seals.



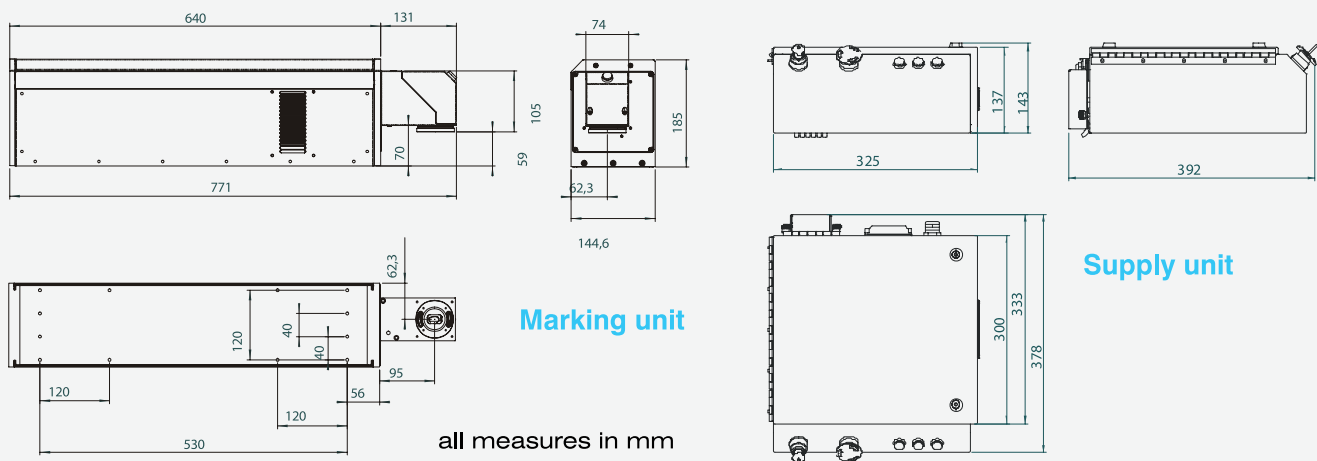
Permanent coding

This means that Videojet 3320 is often used in industries such as beverages, food, pharmaceuticals, cosmetics, automotive and electronics.

The laser puts information such as the expiry and manufacturing dates, batch and line numbers, 2D matrix and bar codes, logos, symbols and individual data (content, weight, price, etc.) on products cleanly and permanently.



VIDEOJET 3320 laser marking system



Print Specifications Marking Features

Marking Speed

- Up to 30.000 mm/sec. (100 feet/sec.) resp. 1.300 characters/sec. (application dependent)

Line Speed

- Up to 15 m/sec. (50 feet/sec.) (application dependent)

Marking Field

- Marking stationary products: from ca. 44 x 44 mm² to 177 x 177 mm² (1.7 x 1.7 to 7.0 x 7.0 in.2) and options On-the-fly marking: max height from 44 to 177 mm² (1.7 to 7.0 in.2) and options All marking field data depending on focus optics.

Marking Formats

- Standard industrial fonts (Type 1 Windows®, TrueType) Machine readable codes (OCR, 2D-matrix, etc.) Bar codes: BC25, BC25i, BC39, BC39E, BC128, EAN128, EAN13, UPC_A, RSS14/RSS14 Truncated, RSS14 Stacked, Omnidirectional, RSS Limited, RSS Expanded, etc. Graphics, logos, symbols, etc. Linear, circular, angular, reverse, rotate Sequential and batch numbering Automatic date, time, shift marking, real-time clock function

Laser

Laser Tube

- Single sealed CO₂ laser, power class 30W Beam Deflection Digital high-speed galvanometer scanners

Focusing

- Precision lens system Focal length 64/ 95/ 127/ 190/ 254 mm (2.5/ 3.75/ 5/ 7.5/ 10"), options

Handheld Controller

- Ethernet-enabled graphic remote control Fast and intuitive job setting, system configuration and operation Status and alarm indication with troubleshooting messages Excellent display readability

Software

Smart Graph

Graphical user interface under Windows® 2000/ XP for intuitive and quick generation of complete marking jobs on external PCs Full feature text/ data/ graphics/ parameter editor Easy access to standard CAD and graphics programs by convenient import functions WYSIWYG Multiple security levels with configurable user rights, password protected

Smart Graph Com

- ActiveX communication interface to PCs, networks, digital I/O subsystems

Language Capabilities

- Selectable, permanently installed: English, French, German, Italian, Spanish, Chinese, Japanese and options

Remote Communication

- Ethernet for PC networks, USB Optional RS232/ 422, CAN, Profibus Shaft encoder input Bar code reader input More than 100 input/ output ports for start/ stop signal, machine/ user interlocks, product detectors, digital direct selection of jobs (up to 256 within less than 10 ms), etc. Customer specific solutions

Utilities

Electrical Requirements

- 85-240 V (autorange), 50-60 Hz, 1 PH, 0.70 kW

Cooling System

- Air cooled

Environment

- Temperature 5-40° C (40-105° F) Humidity 10-90%, non-condensing

Sealing and Safety Standards

- IP54, optional IP65, LASER CLASS 4 product

Weight

- ca. 35 kg (78 lbs)

Complete Customer Care

At Videojet we offer you a world leading after sales service. You have the opportunity to take maximum advantage of the full Videojet bundle of products and services to obtain superior product marking and coding with maximum equipment uptime. Our families of green, environmentally friendly fluids, have been helping customers meet and exceed their expectations and objectives for years. We can also provide inks with fewer or no volatile organic compounds (VOCs) enforcing our commitment to a greener code.



© 2008 Videojet Technologies Inc. – All rights reserved. Videojet Technologies Inc.'s policy is one of continued improvement. We reserve the right to alter design and/or specifications without notice. Videojet, and TotalSource are registered trademarks and Connector is a trademark of Videojet Technologies Inc. CompactFlash is a registered trademark of the CompactFlash Association.

Identify with Videojet, world leaders in coding and marking solutions.

For more information please call +44 (0)870 240 5542,

or visit our website – www.videojet.co.uk

